



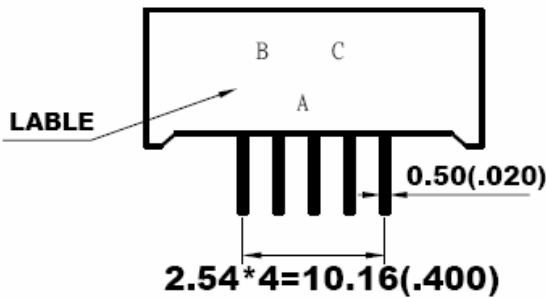
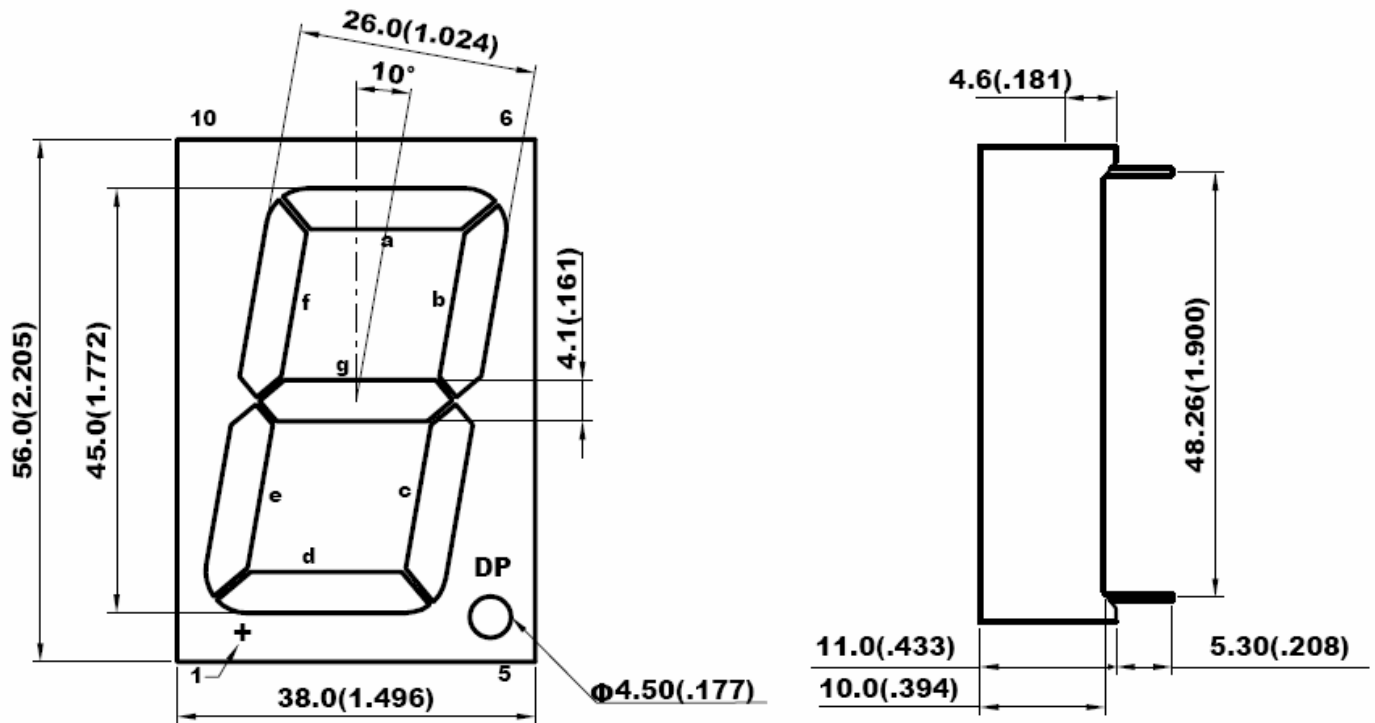
# American Opto Plus LED

## A1801X G/W

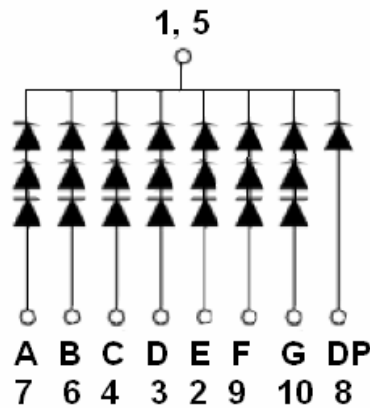
1.80" Single Digit Seven Segment Display

- ❖ 1.80inch (45.0 mm) height
- ❖ Low power consumption
- ❖ RoHS Compliance
- ❖ Case mold type

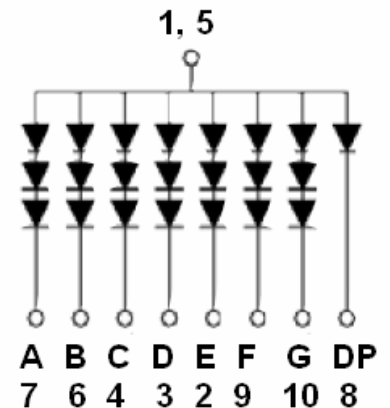
### Package Dimensions



C-1801X



A-1801X



Notes: 1. Label Notes: A: Part Number B: Date C: Bin Code 2. All dimensions are in millimeters (inches)

3. Tolerance is  $\pm 0.25\text{mm}$  (0.01") unless otherwise specified



# American Opto Plus LED

## A1801X G/W

1.80'' Single Digit Seven Segment Display

- ❖ 1.80inch (45.0 mm) height
- ❖ Low power consumption
- ❖ RoHS Compliance
- ❖ Case mold type

### ◆SELECTION GUIDE AND APPLICATION INFORMATION ( RATINGS AT 25°C AMBIENT )

Part No.	Chip		Wave Length $\lambda_p$ (nm)	Absolute Maximum Ratings				Electro-Optical Characteristics					
	Raw Material	Emitted Color		$\Delta\lambda$	Pad	I <sub>af</sub>	I <sub>pf</sub>	V <sub>f</sub> (V)			I <sub>f</sub>	I <sub>v</sub> ( $\mu$ cd)	
				nm	mW	mA	(Peak)	Min.	Typ.	Max.	(Rec)	Min.	Typ.
C/A 1801E G/W	GaAsP	Orange-Red	625	45	75	30	100	5.1	5.55	7.5	10	8000	24000
C/A 1801G G/W	GaP	Green	568	30	65	30	100	5.1	6.3	8.0	10	12000	26000
C/A 1801SR G/W	GaAlAs	Super Red	640	20	72	20	100	4.8	5.25	7.20	10	26000	75000
C/A 1801Y G/W	GaAsP	Yellow	588	35	75	30	100	5.1	6.3	8.0	10	3000	8000

### ◆ABSOLUTE MAXIMUM RATING: (Ta=25°C)

Reverse Voltage	: 5 Volt
Reverse Current (V <sub>r</sub> =5V)	: 100 $\mu$ A
Operating Temperature Range	: -40°C ~ +85°C
Storage Temperature Range	: -40°C ~ +85°C
Soldering Temperature	: 250 ~ 260 for 3 seconds.

Para meter Description	Symbol	Unit
Spectral Line half-width	$\lambda$	nm
Power dissipation	P <sub>d</sub>	mW
Peak Forward Current (Duty 1/10, @KHz)	I <sub>f</sub> (Peak)	mA
Recommended Operation Current	I <sub>f</sub> (Rec)	mA
Average Luminous intensity (I <sub>f</sub> =10mA)	I <sub>v</sub>	$\mu$ cd



# American Opto Plus LED

## C/A1801X G/W

1.80'' Single Digit Seven Segment Display

- ❖ 1.80inch (45.0 mm) height
- ❖ Low power consumption
- ❖ RoHS Compliance
- ❖ Case mold type

### WAVE SOLDERING

SOLDERING INSTRUCTIONS						
TYPES	DIP AND WAVE SOLDERING			IRON SOLDERING(WITH 1.5mm IRON TIP)		
	TEMPERATURE OF THE SOLDERING BATH	MAXIMUM SOLDERING TIME	DISTANCE FROM SOLDER JOINT TO CASE	TEMPERATURE OF SOLDERING IRON	MAXIMUM SOLDERING TIME	DISTANCE FROM SOLDER JOINT TO CASE
LEDS	$\leq 260^{\circ}\text{C}$	3S	>2mm	$\leq 295^{\circ}\text{C}$	3S	>2mm
	$\leq 260^{\circ}\text{C}$	5S	>4mm	$\leq 295^{\circ}\text{C}$	5S	>4mm
DISPLAYS	$\leq 260^{\circ}\text{C}$	3S	>2mm	$\leq 295^{\circ}\text{C}$	3S	>2mm